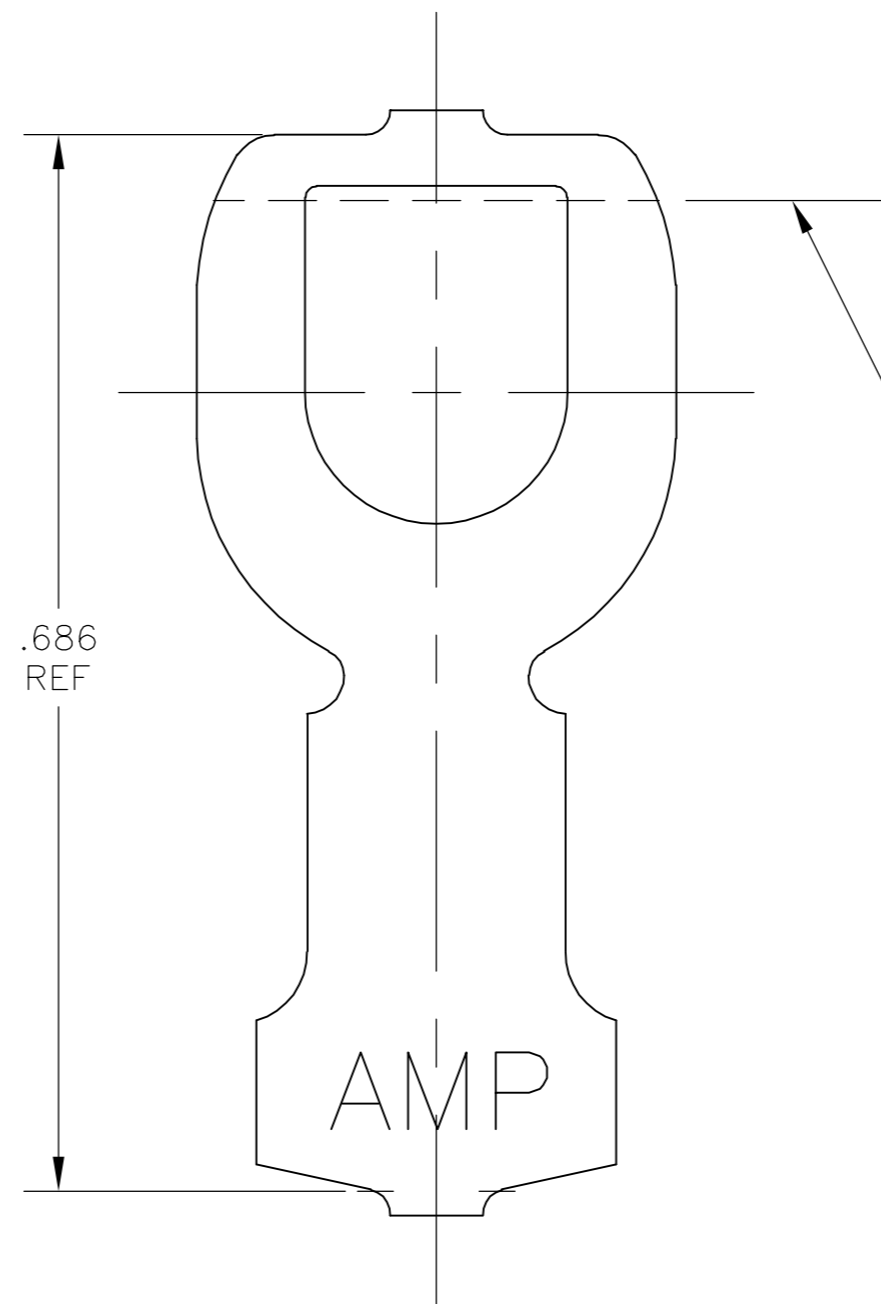
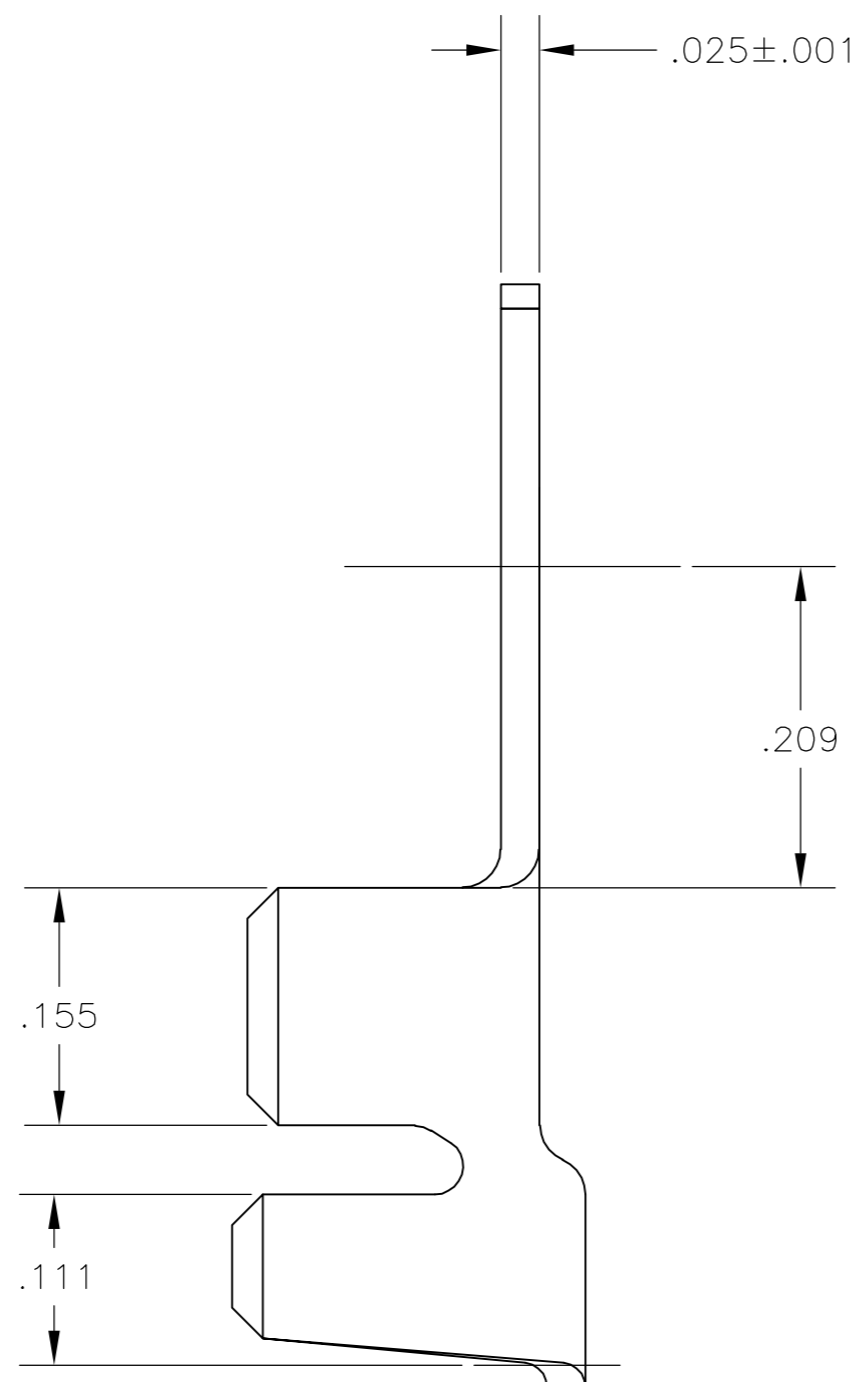
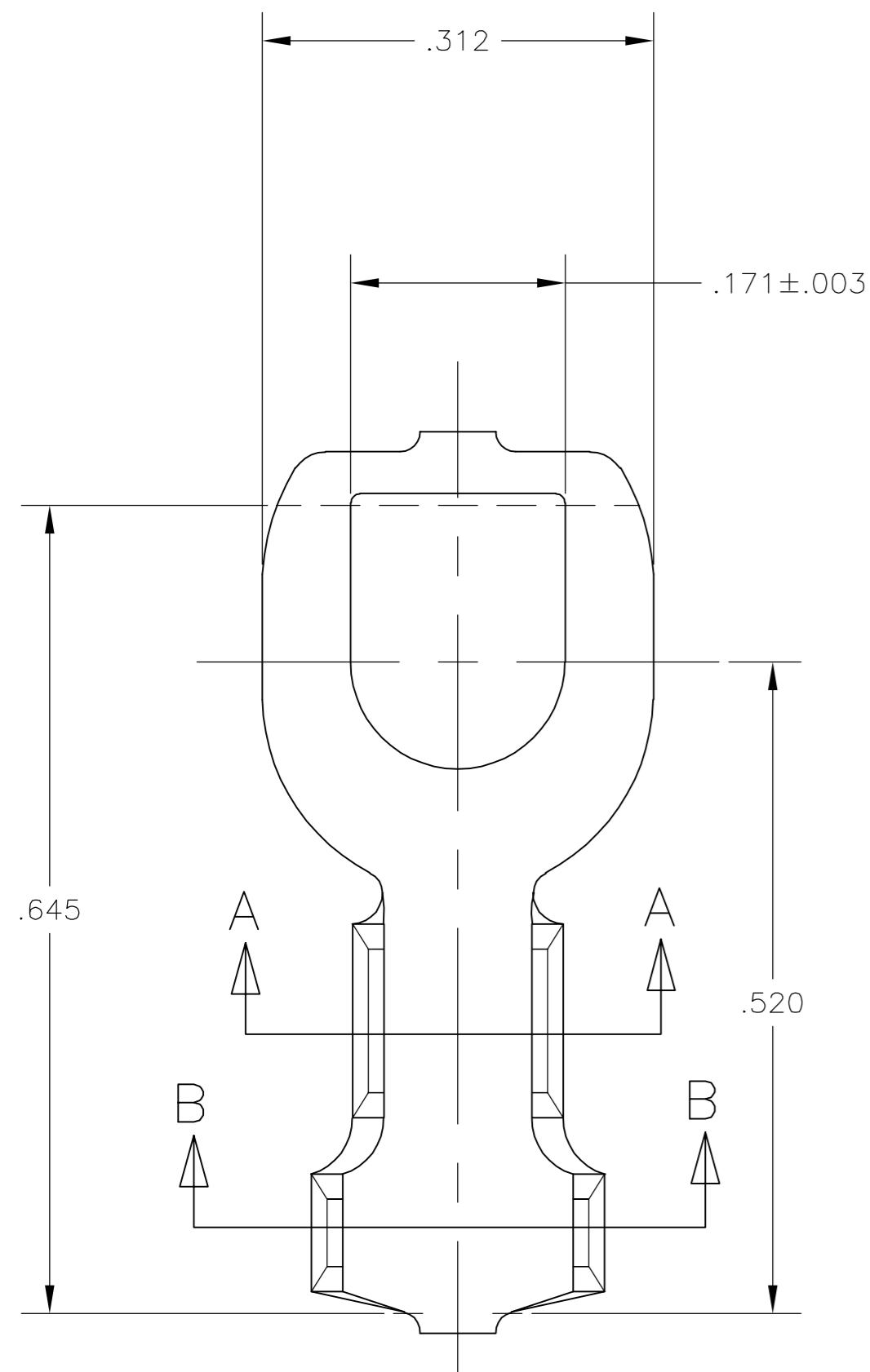


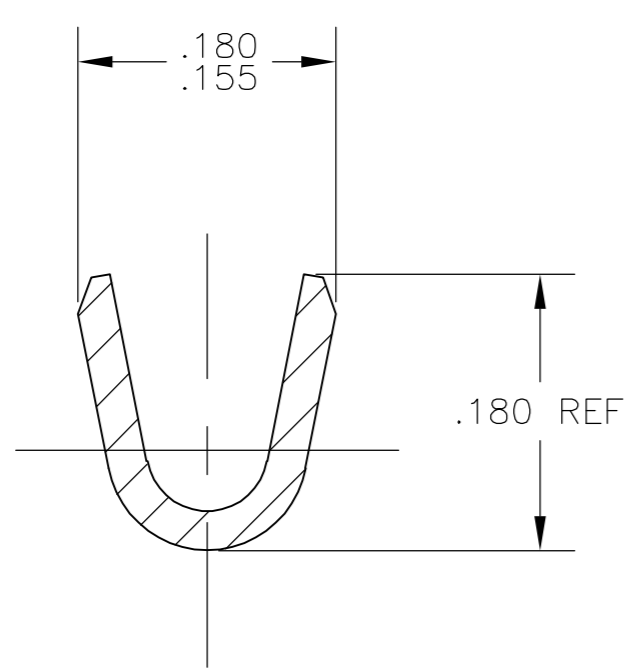
THIS DRAWING IS UNPUBLISHED. RELEASED FOR PUBLICATION
 © COPYRIGHT BY TYCO ELECTRONICS CORPORATION. ALL RIGHTS RESERVED.

LOC		DIST		REVISIONS			
P	LTR	DESCRIPTION		DATE	DWN	APVD	
AF	50	E		REDRAWN PER OG3A-0083-05	08MAR05	MF DD	

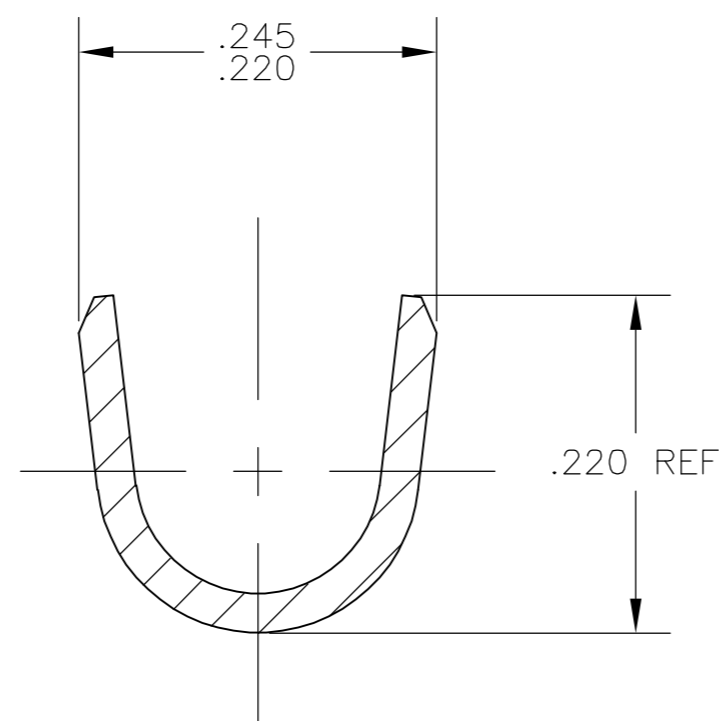


- 1 CONTINUOUS STRIP ON REELS.
- 2 WIRE SIZE: #18-#14 AWG.
- 3 INSULATION RANGE: .130-.180 DIA

APPLICATOR CUT-OFF



SECTION A-A



SECTION B-B

OBSOLETE	.000080 MIN TIN	60251-2
		60251-1
	FINISH	PART NUMBER
Tyco Electronics Corporation Harrisburg, Pa 17105-3608		NAME TERMINAL, SPADE STUD SIZE NUMBER 8
SIZE	CAGE CODE	DRAWING NO
A2	00779	C=60251
CUSTOMER DRAWING		RESTRICTED TO
SCALE 8:1		SHEET 1 OF 1
		REV E

THIS DRAWING IS A CONTROLLED DOCUMENT.		DWN	27JAN2005
		CHK	08MAR2005
		APVD	08MAR2005
		PRODUCT SPEC	
		APPLICATION SPEC	
		WEIGHT	-
		CUSTOMER DRAWING	

DIMENSIONS:	TOLERANCES UNLESS OTHERWISE SPECIFIED:
INCHES	
	0 PLC ± -
	1 PLC ± -
	2 PLC ± -
	3 PLC ± .015
	4 PLC ± -
	ANGLES ± 1°
MATERIAL	FINISH
082 BRASS	SEE TABLE